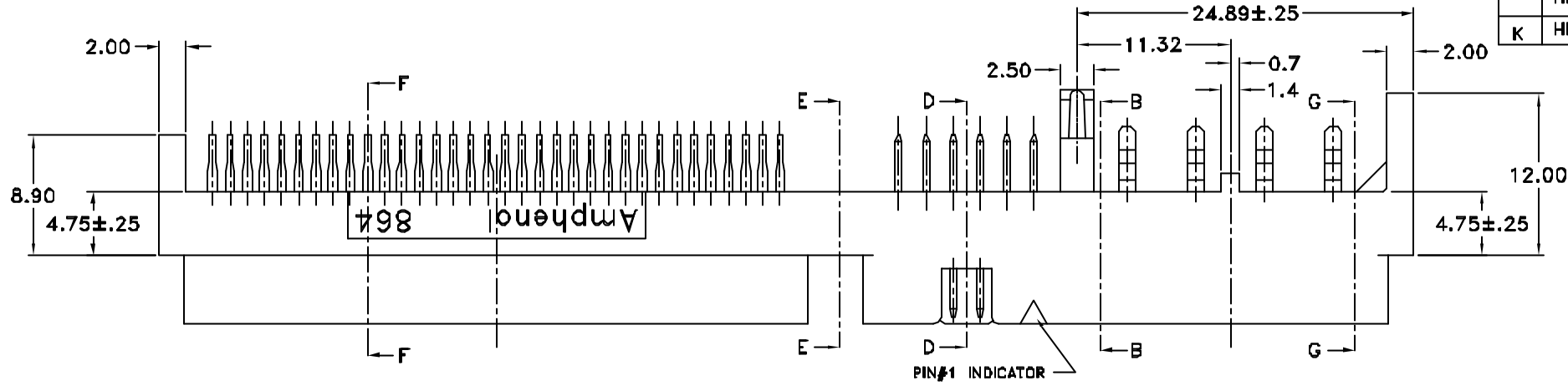
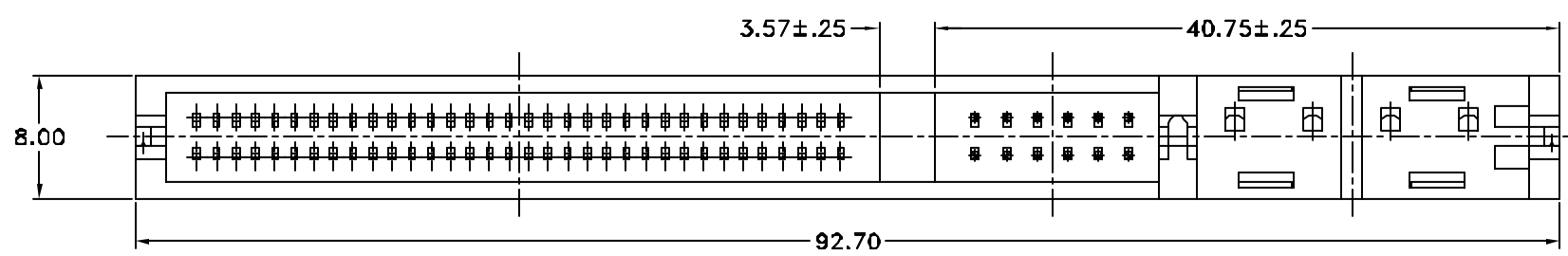
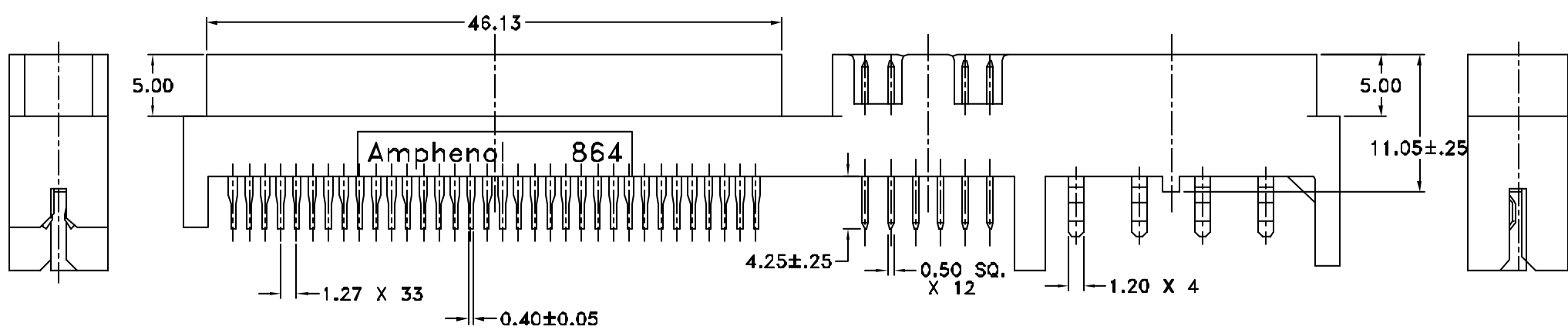
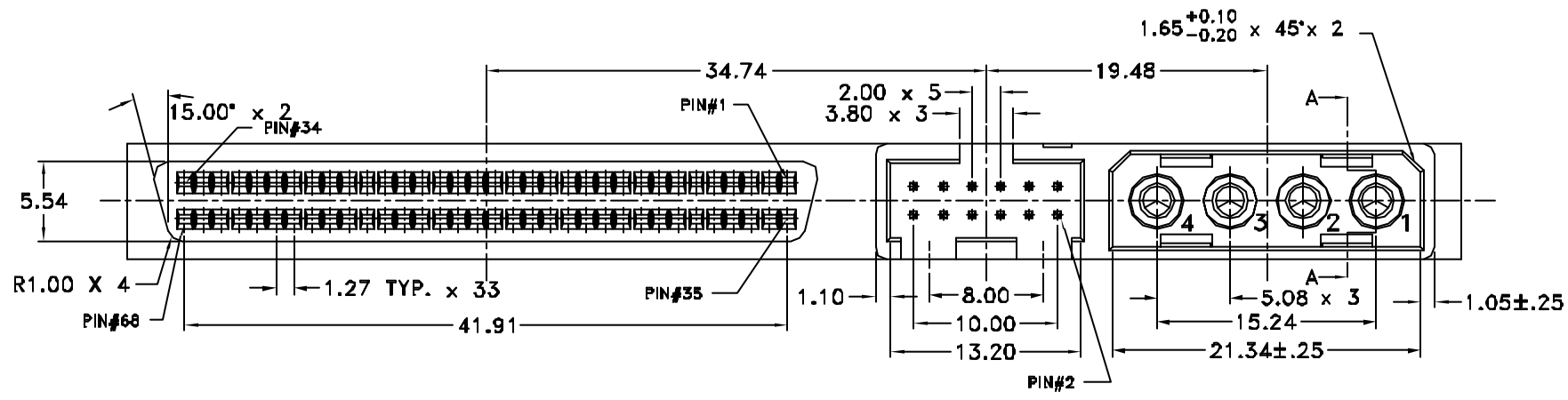


This document is the property of Amphenol Corporation and is delivered on the express condition that it is not to be disclosed, reproduced or used, in whole or in part, for manufacture or sale by anyone other than Amphenol Corporation without its prior consent, & that no right is granted to disclose or to use any information in this document.

REVISIONS				
SYM	ECN#	DESCRIPTION	DATE	APPROVED
G	HK2286	TIGHTEN THE TOLERANCE OF BUMPS HEIGHT	7/29/02	IP
H	HK2304	"1.60 MIN." WAS "1.80 MIN."; "Ø2.12±0.04" WAS "Ø2.10±0.04"	8/12/02	IP
I	HK2362	"11.32" WAS "11.18"; "24.89" WAS "24.75"; "1.27" WAS "1.20"	10/14/02	IP
J	HK2395	3.70±0.25 WAS 3.50±0.25; 1.27 MIN WAS 1.60 MIN; 12.00 WAS 12.30 ADD WEB ON THE ROOT OF GRIPPER	11/22/02	IP
K	HK2430	ADD NOTE 6	12/20/02	IP

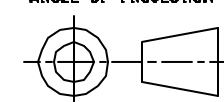


- NOTES :
- THIS TRICOMBO CONNECTOR CONSISTS OF THREE PORTION - 68 WAYS SCSI2 SOCKET, 12 WAYS 2mm HEADER & 4 PIN POWER HEADER.
 - SUITABLE FOR THE PCB WITH THICKNESS OF 1.00/0.80mm.
 - INSULATOR MATERIAL : POLYPHTHALAMIDE (PPA) BLACK 33% GLASS REINFORCED, UL94V-0.
 - ALL DIMENSIONS ARE MEASURED IN mm.
 - THE CONTACT MATERIALS : COPPER ALLOY
 - MATERIAL SHOULD BE FULFILLED AMPHENOL SPEC# SSN001
 - FINISH :
 - FOR P/N 864-8499-001
 - A. FOR 2MM HEAD PIN AND SCSI2 FEMALE CONTACT : 0.38um MIN GOLD PLATED ON THE MATING AREA, 2.54um-5.08um TIN/LEAD PLATED ON THE TAIL, 1.27um-2.54um NICKEL UNDERPLATED.
 - B. FOR THE POWER CONTACT : 2.54um-7.62um TIN PLATED WITH 1.27um-2.54um NICKEL UNDERPLATED.
 - FOR P/N 864-8499-001-1
 - A. FOR 2MM HEAD PIN AND SCSI2 FEMALE CONTACT : 0.76um MIN GOLD PLATED ON THE MATING AREA, 2.54um-5.08um TIN/LEAD PLATED ON THE TAIL, 1.27um-2.54um NICKEL UNDERPLATED.
 - B. FOR THE POWER CONTACT : 2.54um-7.62um TIN PLATED WITH 1.27um-2.54um NICKEL UNDERPLATED.
 - FOR P/N 864-8499-001-2
 - A. FOR 2MM HEAD PIN AND SCSI2 FEMALE CONTACT : 5.08um MIN GOLD PLATED ON THE MATING AREA, 2.54um-5.08um TIN/LEAD PLATED ON THE TAIL, 1.27um-2.54um NICKEL UNDERPLATED.
 - B. FOR THE POWER CONTACT : 2.54um-7.62um TIN PLATED WITH 1.27um-2.54um NICKEL UNDERPLATED.
 - FOR P/N 864-8499-001-F
 - A. FOR 2MM HEAD PIN AND SCSI2 FEMALE CONTACT : GOLD FLASH PLATED ON THE MATING AREA, 2.54um-5.08um TIN/LEAD PLATED ON THE TAIL, 1.27um-2.54um NICKEL UNDERPLATED.
 - B. FOR THE POWER CONTACT : 2.54um-7.62um TIN PLATED WITH 1.27um-2.54um NICKEL UNDERPLATED.



CUSTOMER DRAWING

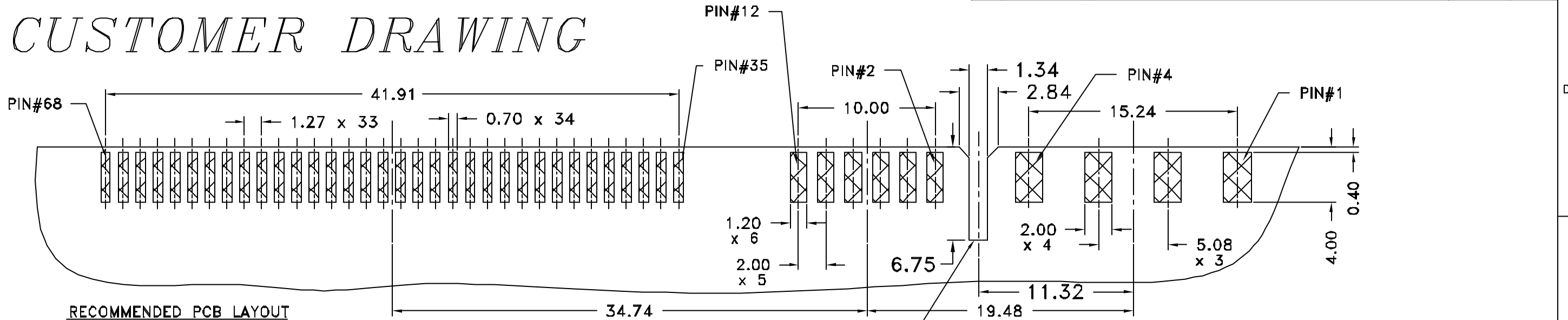
ITEM NO	PART OR IDENTIFICATION NO	NOMENCLATURE OR DESCRIPTION	QTY REQ'D
PARTS LIST			
UNLESS OTHERWISE SPECIFIED TOLERANCES		APPROVAL	DATE
U.S. METRIC		DRAWN	12/20/02
.X +/- 0.25		MOU	
.XX +/- 0.13		CHECKED	MICHAEL IP 12/20/02
.XXX +/-		CHECKED	
FRACTIONS +/-			
ANGLES +/- 3°			
FOR MATERIALS AND FINISHES SEE NOTES		DRAWING FILE :	
REMOVE SHARP EDGES		/DRAWING/COMBO/CB401.DWG	
DIMENSIONS		ANGLE OF PROJECTION	
U.S.	INCHES		
(METRIC)	(MM)		
TITLE COMBO CONNECTOR OF 68 WAYS SCSI-3 SOCKET, 2X6 2MM HEADER 4 WAY POWER HEADER STRADDLE PCB		SIZE	DRAWING NO.
		A3	C864-8499-001-X
		SCALE	NONE
		SHEET	1 OF 2



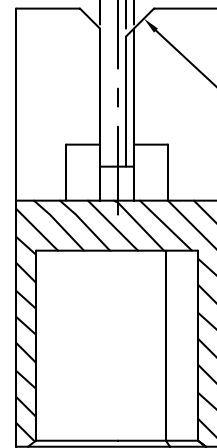
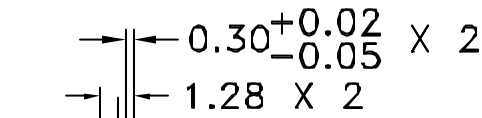
This document is the property of Amphenol Corporation and is delivered on the express condition that it is not to be disclosed, reproduced or used, in whole or in part, for manufacture or sale by anyone other than Amphenol Corporation without its prior consent; & that no right is granted to disclose or to use any information in this document.

REVISIONS				
SYM	ECN#	DESCRIPTION	DATE	APPROVED
		SEE SHEET 1		

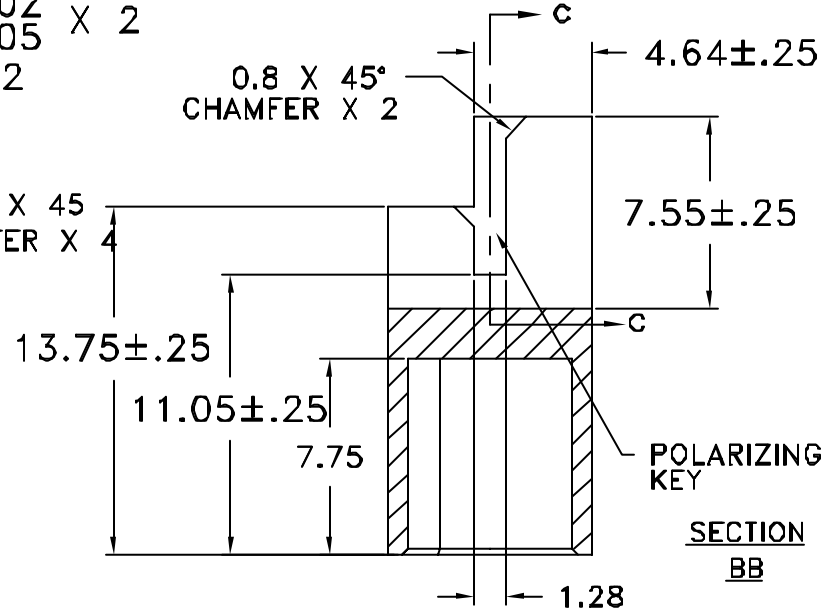
CUSTOMER DRAWING



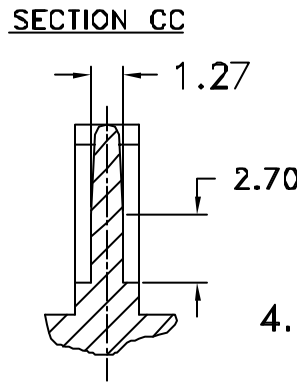
RECOMMENDED PCB LAYOUT



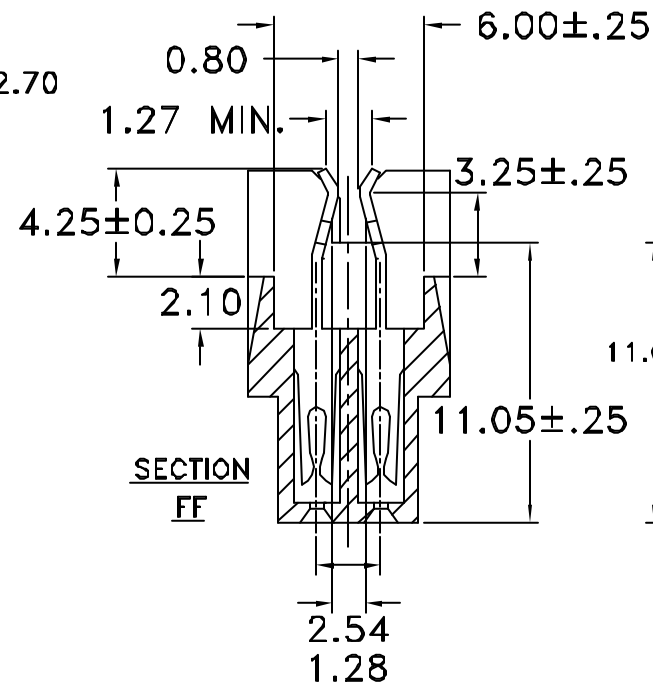
SECTION GG



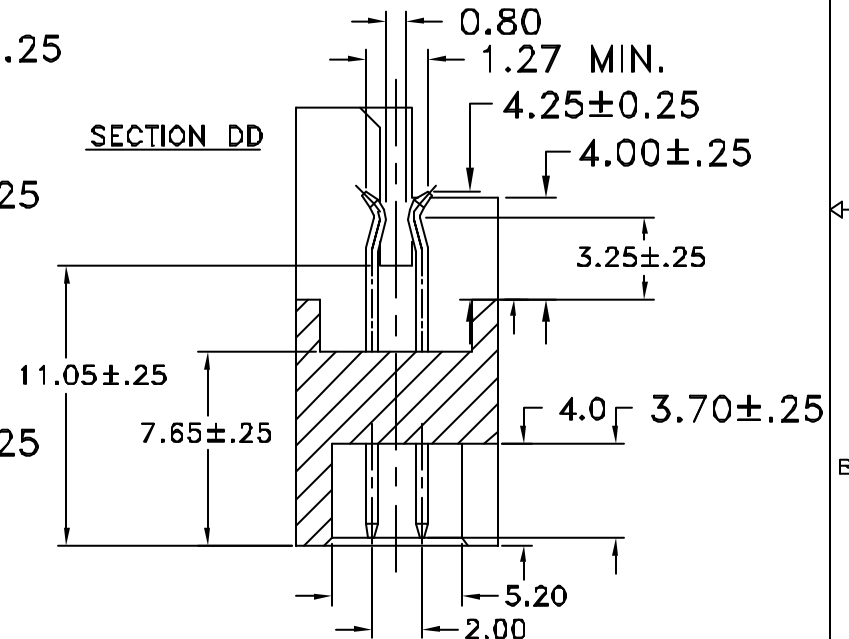
SECTION BB



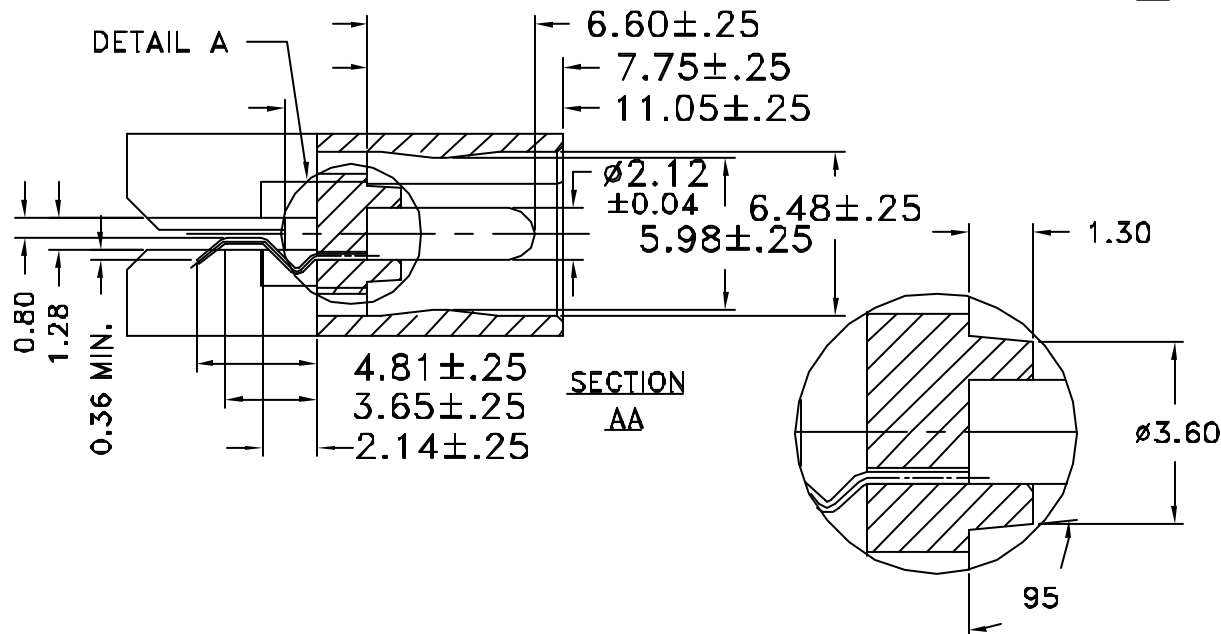
SECTION CC



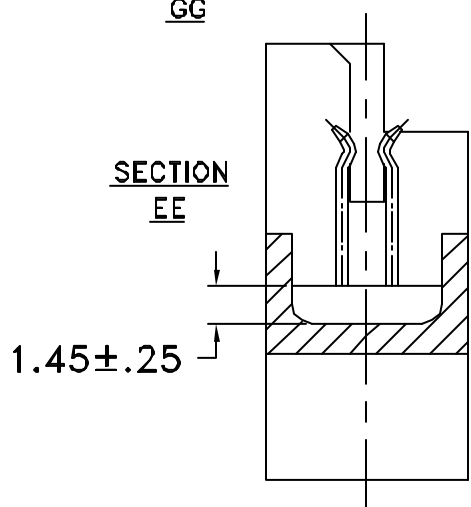
SECTION FF



SECTION DD



SECTION AA



SECTION EE

ITEM NO	PART OR IDENTIFICATION NO	NOMENCLATURE OR DESCRIPTION	QTY REQ'D
PARTS LIST			
UNLESS OTHERWISE SPECIFIED TOLERANCES		APPROVAL	DATE
U.S. METRIC		DRAWN HOU	12/20/02
.X +/- 0.25		CHECKED MICHAEL IP	12/20/02
.XX +/- 0.13		CHECKED	
.XXX +/-			
FRACTIONS +/-			
ANGLES +/- 5°			
FOR MATERIALS AND FINISHES SEE NOTES		DRAWING FILE :	
REMOVE SHARP EDGES		/DRAWING/COMBO/CB401.DWG	
DIMENSIONS		ANGLE OF PROJECTION	
U.S.	INCHES		
(METRIC)	(MM)		
TITLE COMBO CONNECTOR OF 68 WAYS		SIZE	DRAWING NO.
SCSI-3 SOCKET, 2X6 2MM HEADER		A3	C864-8499-001-X
4 WAY POWER HEADER STRADDLE PCB		SCALE	NONE
		SHEET	2 OF 2
		REV.	K

Amphenol

Amphenol East Asia Limited

TITLE COMBO CONNECTOR OF 68 WAYS
SCSI-3 SOCKET, 2X6 2MM HEADER
4 WAY POWER HEADER STRADDLE PCB

SIZE A3 DRAWING NO. C864-8499-001-X REV. K
SCALE NONE SHEET 2 OF 2